

# SDVoE-Ready M4300-96X

Up to 96-port 10G,  
PoE options

Modular. Granular. Unique.



The world's only solution scaling up to 96 ports of 10G Ethernet by multiple of 8 ports and starting at \$100 per port. Take the complexity out of your AV-over-IP deployments with M4300 switches, truly preconfigured for SDVoE.

NAME	ORDERING SKU NUMBER	PRODUCT FAMILY	SWITCH TYPE	FORM FACTOR	PSU	COPPER 10GBE PORTS	OPTICAL 10GBE PORTS	TOTAL 10GBE PORTS
M4300-8X8F	XSM4316S-100NES	M4300 SERIES	FULLY MANAGED	HALF-WIDTH 1U	MODULAR X 1	8	8	16
M4300-12X12F	XSM4324S-100NES	M4300 SERIES	FULLY MANAGED	HALF-WIDTH 1U	MODULAR X 1	12	12	24
M4300-24X	XSM4324CS-100NES	M4300 SERIES	FULLY MANAGED	HALF-WIDTH 1U	MODULAR X 1	24	4 <sup>1</sup>	24
M4300-24X24F	XSM4348S-100NES	M4300 SERIES	FULLY MANAGED	FULL WIDTH 1U	MODULAR X 2	24	24	48
M4300-48X	XSM4348CS-100NES	M4300 SERIES	FULLY MANAGED	FULL WIDTH 1U	MODULAR X 2	48	4 <sup>1</sup>	48
M4300-96X	XSM4396K0-10000S	M4300 SERIES	EMPTY SWITCH, NO PSU	FULL WIDTH 2U	MODULAR X 2	UP TO 12 PORT CARDS		UP TO 96
	XSM4396K1-100NES	STARTER KIT WITH THE SWITCH, SIX APM408F AND ONE NON-POE APS600W PSU				-	48	
	APM408C-10000S	APM408C PORT CARD WITH 8 COPPER 10G PORTS				8	-	
	APM408P-10000S	APM408P PORT CARD WITH 8 COPPER 10G POE+ PORTS				8 PoE+ <sup>2</sup>	-	
	APM408F-10000S	APM408F PORT CARD WITH 8 FIBER 10G PORTS				-	8	
	APM402XL-10000S	APM402XL PORT CARD WITH 2 FIBER 40G PORTS				-	-	

<sup>1</sup> Shared SFP+ Optical Ports - combo with other copper ports.

<sup>2</sup> Only first 6 slots are delivering PoE power to APM408P port cards for 48 PoE+ ports per switch. APS1200W PSU is preferred for PoE applications.

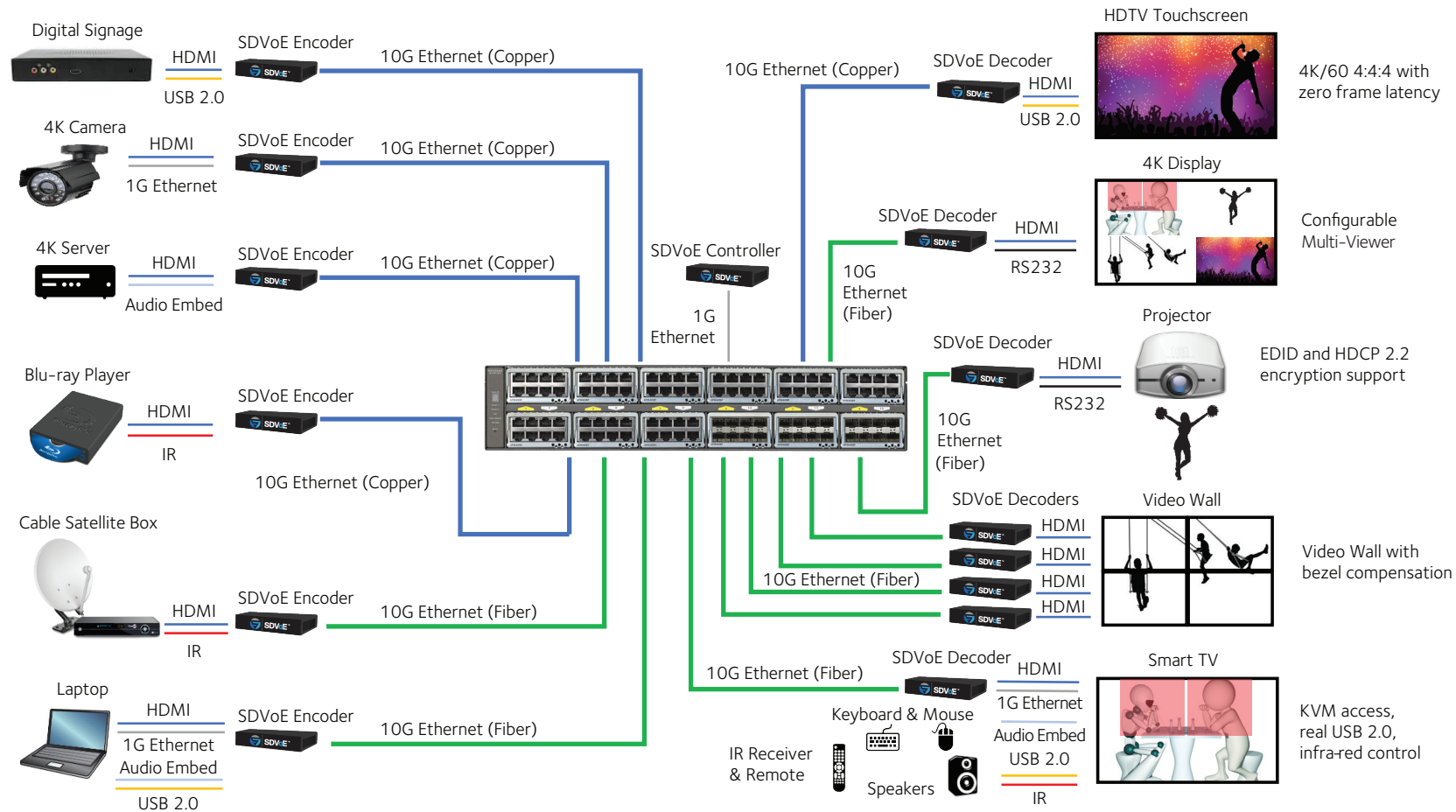


More information: [www.netgear.com/sdvoe](http://www.netgear.com/sdvoe) and [www.netgear.com/m4300](http://www.netgear.com/m4300)  
M4300-96X online configurator: [www.netgear.com/96x-config](http://www.netgear.com/96x-config)



SDVoE is a trademark of the SDVoE Alliance  
[www.sdvoe.org](http://www.sdvoe.org)

# Enabling Zero-Touch install of SDVoE Video-over-IP



As a new member of the SDVoE-Ready M4300 Family, the NETGEAR M4300-96X is a 2RU modular switch that comes either empty or pre-populated with 48 SFP+ ports and supporting up to 96-port 10GBASE-T copper (RJ-45) with first 48 ports capable of PoE+, 96-port 10GBASE-X fiber (SFP+), 24-port 40GBASE-X fiber (QSFP+), or a combination. To take the complexity out of your AV-over-IP deployments, NETGEAR created M4300 switches that are preconfigured for SDVoE. Connect your SDVoE encoders and decoders, power on the switch – it just works! M4300-96X is backed by NETGEAR® ProSAFE® Lifetime Limited Warranty and 24/7 support including lifetime chat and 90-day phone support.



More information: [www.netgear.com/sdvoe](http://www.netgear.com/sdvoe) and [www.netgear.com/m4300](http://www.netgear.com/m4300)  
M4300-96X online configurator: [www.netgear.com/96x-config](http://www.netgear.com/96x-config)



SDVoE is a trademark of the SDVoE Alliance  
[www.sdvoe.org](http://www.sdvoe.org)